

## SILT FENCE CONSTRUCTION

1. FILTER FABRIC SHALL BE PURCHASED IN A CONTINUOUS ROLL AND CUT TO ALIGNMENT LENGTH TO AVOID JOINTS. WHERE JOINTS ARE UNAVOIDABLE, THE FABRIC SHALL BE SPLICED TOGETHER AT A SUPPORT POST BY TWISTING THE POST OF EACH RUN AROUND EACH OTHER.

2. FILTER FABRIC SHALL BE FASTENED SECURELY TO THE UPSLOPE SIDE OF THE SUPPORT POSTS USING ONE INCH, MINIMUM, LONG HEAVY-DUTY WIRE STAPLES OR TIE WIRES WITH EIGHT INCHES, MINIMUM, OF FABRIC EXTENDED INTO THE TRENCH. DO NOT STAPLE FABRIC TO TREES.

3. COMPACTED SOIL BACKFILL SHALL BE PLACED IN THE 4" BY 6" TRENCH ATOP THE EXTENDED FILTER FABRIC.

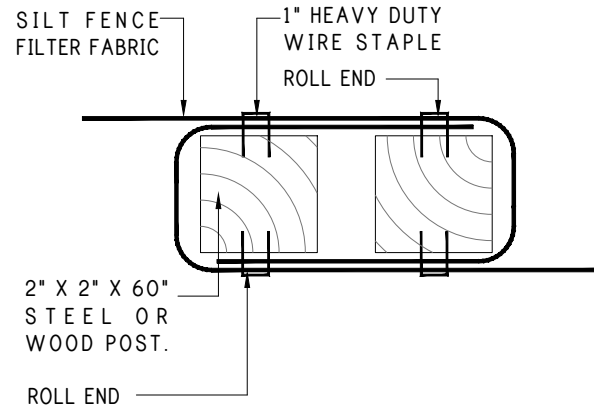
4. POSTS SHALL BE CONSTRUCTED OF 2" X 2" X 60" HARDWOOD OR 2" X 4" PINE BY 60" LONG OR COMPARABLE STEEL POSTS.

5. FILTER FABRIC SHALL BE NON-WOVEN "MIRAFI 100X", "EXXON GTF 180" OR EQUAL.

6. APPROVED PREFABRICATED UNITS INCLUDE "GEOFAB", "ENVIROFENCE", OR APPROVED EQUAL.

7. THE MAXIMUM RUN OF SLOPE ABOVE A ROW OF SILT FENCE IS 110 FEET.

THE SILT FENCE MUST BE INSPECTED AFTER EVERY RUNOFF EVENT. ANY DAMAGE MUST BE REPAIRED IMMEDIATELY. SEDIMENT AND OTHER DEBRIS MUST BE REMOVED FROM THE UPSLOPE SIDE OF THE FENCE WHEN IT ACCUMULATES TO THE EXTENT THAT VISIBLE BULGES DEVELOP IN THE SILT FENCE. THE SILT FENCE SHALL BE REMOVED AFTER VEGETATION OR OTHER PERMANENT EROSION CONTROL MEASURES ARE INSTALLED AND FUNCTIONAL.



## GENERAL SILT FENCE NOTES

INSTALL BEFORE LAND IS DISTURBED

INSTALL ON DOWN SLOPE SIDE OF SITE PARALLEL TO CONTOUR OF THE LAND

STAKE POSTS ON DOWNHILL SIDE

EXTENDED ENDS UP SLOPE ENOUGH TO ALLOW WATER TO POND BEHIND FENCE

TURN ENDS OF FENCE UPHILL

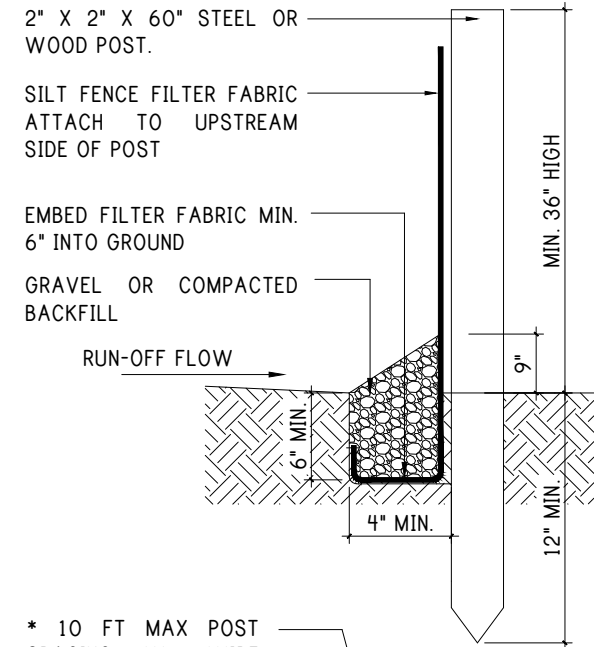
BURY MIN. 6 INCHES OF FABRIC IN TRENCH  
LEAVE NO GAPS.

OVERLAP SECTIONS OF SILT FENCE, OR TWIST ENDS OF SILT FENCE TOGETHER.

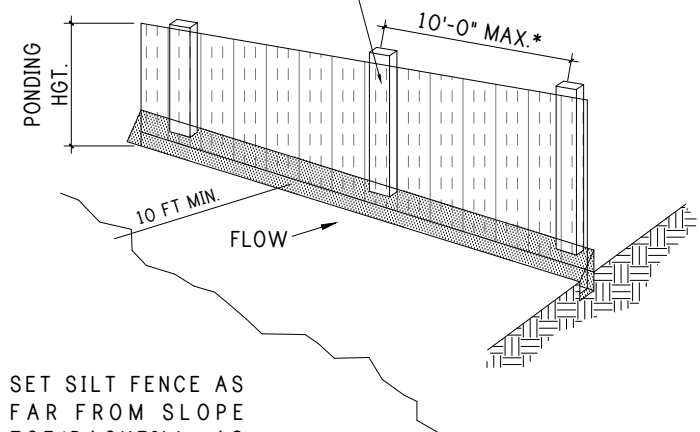
INSPECT AND REPAIR ONCE A WEEK AND AFTER EVERY RAIN.

REMOVE SEDIMENT IF DEPOSITS REACH HALF THE FENCE HEIGHT

MAINTAIN UNTIL A LAWN IS ESTABLISHED



\* 10 FT MAX POST SPACING W/ WIRE SUPPORT & 6 FT MAX W/O WIRE SUPPORT



SET SILT FENCE AS FAR FROM SLOPE TOE/BACKFILL AS POSSIBLE, 10 FT., MIN.